

NOTES & FEATURES

MATERIAL: STAINLESS STEEL
 GRADE: F316L
 STANDARD: ASME B16.5
 MANUFACTURING PROCESS: FORGED TO ASTM A182
 SURFACE FINISH: SPIRAL GROOVE
 WORKING TEMPERATURE: SEE TABLE BELOW (*)
 WORKING PRESSURE: SEE TABLE BELOW (*)

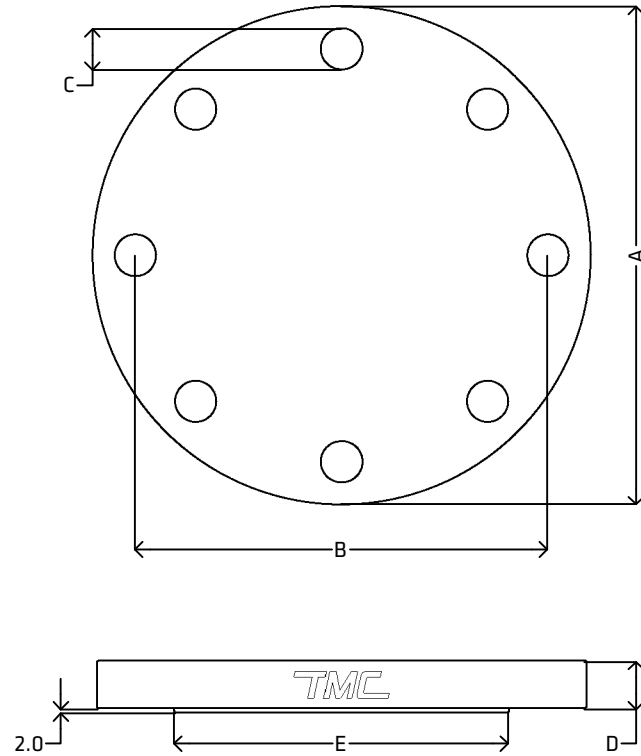
ERRORS & OMISSIONS EXCEPTED
 ALL MEASUREMENTS IN MM UNLESS STATED OTHERWISE

FEATURES:
 ALL SHARP EDGES HAVE BEEN CHAMFERED BY 0.5 MM AT 45°

(*) CLASS 150 RATINGS:

-29°C to 38°C: 15.9bar
 50°C: 15.3bar
 100°C: 13.3bar
 150°C: 12bar
 200°C: 11.2bar
 250°C: 10.5bar
 300°C: 10bar
 325°C: 9.3bar
 350°C: 8.4bar
 375°C: 7.4bar
 400°C: 6.5bar
 425°C: 5.5bar
 450°C: 4.6bar

[VIEW ONLINE](#)



DIMENSIONS

CODE	METRIC	INCH	A	B	C	D	E
SBF15A150	15NB	1/2"	90.0	60.3 (±1.5)	4x15.88	9.6 (-0.0, +3.0)	34.9 (±1.0)
SBF20A150	20NB	3/4"	100.0	69.9 (±1.5)	4x15.88	11.2 (-0.0, +3.0)	42.9 (±1.0)
SBF25A150	25NB	1"	110.0	79.4 (±1.5)	4x15.88	12.7 (-0.0, +3.0)	50.8 (±1.0)
SBF32A150	32NB	1 1/4"	115.0	88.9 (±1.5)	4x15.88	14.3 (-0.0, +3.0)	63.5 (±1.0)
SBF40A150	40NB	1 1/2"	125.0	98.4 (±1.5)	4x15.88	15.9 (-0.0, +3.0)	73.0 (±1.0)
SBF50A150	50NB	2"	150.0	120.7 (±1.5)	4x19.05	17.5 (-0.0, +3.0)	92.1 (±1.0)
SBF65A150	65NB	2 1/2"	180.0	139.7 (±1.5)	4x19.05	20.7 (-0.0, +3.0)	104.8 (±1.0)
SBF80A150	80NB	3"	190.0	152.4 (±1.5)	4x19.05	22.3 (-0.0, +3.0)	127.0 (±1.0)
SBF100A150	100NB	4"	230.0	190.5 (±1.5)	8x19.05	22.3 (-0.0, +3.0)	157.2 (±1.0)
SBF125A150	125NB	5"	255.0	215.9 (±1.5)	8x22.22	22.3 (-0.0, +3.0)	185.7 (±1.0)
SBF150A150	150NB	6"	280.0	241.3 (±1.5)	8x22.22	23.9 (-0.0, +3.0)	215.9 (±1.0)
SBF200A150	200NB	8"	345.0	298.5 (±1.5)	8x22.22	27.0 (-0.0, +3.0)	269.9 (±1.0)
SBF250A150	250NB	10"	405.0	362.0 (±1.5)	12x25.4	28.6 (-0.0, +3.0)	323.8 (±1.0)
SBF300A150	300NB	12"	485.0	431.8 (±1.5)	12x25.4	30.2 (-0.0, +3.0)	381.0 (±1.0)



<p>THE METAL COMPANY TALK: 0508 304 316 TYPE: sales@themetalscompany.co.nz VISIT: 149 Alabama Rd, Blenheim 7201, NZ</p>	FILE NAME	TMC-SBF150.DWG		CODE	SBFA150	SIZE	15NB (1/2") TO 300NB (12")
	AUTHOR	CALEB G. - 15/02/24	FOR	THE METAL COMPANY	DESCRIPTION		
	APPROVED	BRENTLY F. - 19/02/24	CO.	S. FISHER & SONS			
	REVISION	1.0	SHEET	A4	SCALE	NOT TO SCALE	