

NOTES & FEATURES

MATERIAL: STAINLESS STEEL
 GRADE: F316L
 STANDARD: ASME B16.5
 MANUFACTURING PROCESS: FORGED TO ASTM A182
 SURFACE FINISH: SPIRAL GROOVE
 WORKING TEMPERATURE: SEE TABLE BELOW (*)
 WORKING PRESSURE: SEE TABLE BELOW (*)

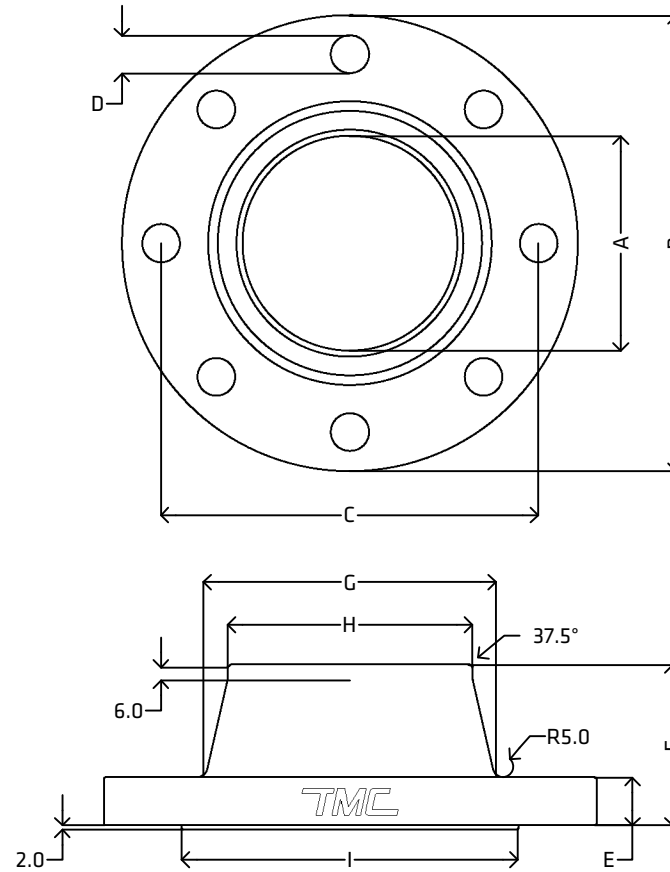
ERRORS & OMISSIONS EXCEPTED
 ALL MEASUREMENTS IN MM UNLESS STATED OTHERWISE

FEATURES:
 ALL SHARP EDGES HAVE BEEN CHAMFERED BY 0.5 MM AT 45°

(*) CLASS 150 RATINGS:

-29°C to 38°C: 15.9bar
 50°C: 15.3bar
 100°C: 13.3bar
 150°C: 12bar
 200°C: 11.2bar
 250°C: 10.5bar
 300°C: 10bar
 325°C: 9.3bar
 350°C: 8.4bar
 375°C: 7.4bar
 400°C: 6.5bar
 425°C: 5.5bar
 450°C: 4.6bar

[VIEW ONLINE](#)



DIMENSIONS

| CODE | METRIC | INCH | A | B | C | D | E | F | G | H | I |
|------------------|--------|--------|--------------|-------|--------------|---------|-------------------|-------------|-------|--------------------|-------|
| SPF15A150S10-WN | 15NB | 1/2" | 17.12 (±1.0) | 90.0 | 60.3 (±1.5) | 4x15.88 | 9.6 (-0.0, +3.0) | 46.0 (±1.5) | 30.0 | 21.3 (-1.0, +2.0) | 34.9 |
| SPF20A150S10-WN | 20NB | 3/4" | 22.45 (±1.0) | 100.0 | 69.9 (±1.5) | 4x15.88 | 11.2 (-0.0, +3.0) | 51.0 (±1.5) | 38.0 | 26.7 (-1.0, +2.0) | 42.9 |
| SPF25A150S10-WN | 25NB | 1" | 27.86 (±1.0) | 110.0 | 79.4 (±1.5) | 4x15.88 | 12.7 (-0.0, +3.0) | 54.0 (±1.5) | 49.0 | 33.4 (-1.0, +2.0) | 50.8 |
| SPF32A150S10-WN | 32NB | 1 1/4" | 36.63 (±1.0) | 115.0 | 88.9 (±1.5) | 4x15.88 | 14.3 (-0.0, +3.0) | 56.0 (±1.5) | 59.0 | 42.2 (-1.0, +2.0) | 63.5 |
| SPF40A150S10-WN | 40NB | 1 1/2" | 42.72 (±1.0) | 125.0 | 98.4 (±1.5) | 4x15.88 | 15.9 (-0.0, +3.0) | 60.0 (±1.5) | 65.0 | 48.3 (-1.0, +2.0) | 73.0 |
| SPF50A150S10-WN | 50NB | 2" | 54.79 (±1.0) | 150.0 | 120.7 (±1.5) | 4x19.05 | 17.5 (-0.0, +3.0) | 62.0 (±1.5) | 78.0 | 60.3 (-1.0, +2.0) | 92.1 |
| SPF65A150S10-WN | 65NB | 2 1/2" | 66.93 (±1.0) | 180.0 | 139.7 (±1.5) | 4x19.05 | 20.7 (-0.0, +3.0) | 68.0 (±1.5) | 90.0 | 73.0 (-1.0, +2.0) | 104.8 |
| SPF80A150S10-WN | 80NB | 3" | 82.8 (±1.0) | 190.0 | 152.4 (±1.5) | 4x19.05 | 22.3 (-0.0, +3.0) | 68.0 (±1.5) | 108.0 | 88.9 (-1.0, +2.0) | 127.0 |
| SPF100A150S10-WN | 100NB | 4" | 108.2 (±1.0) | 230.0 | 190.5 (±1.5) | 8x19.05 | 22.3 (-0.0, +3.0) | 75.0 (±1.5) | 135.0 | 114.3 (-1.0, +2.0) | 157.2 |



| | | | | | | | |
|---|-----------|-----------------------|-------|-------------------|---|--------------|---------------------------|
| <p>THE METAL COMPANY TALK: 0508 304 316 TYPE: sales@themetalscompany.co.nz VISIT: 149 Alabama Rd, Blenheim 7201, NZ</p> | FILE NAME | TMC-SPFA150S10-WN.DWG | | CODE | SPFA150S10-WN | SIZE | 15NB (1/2") TO 100NB (4") |
| | AUTHOR | CALEB G. - 25/01/24 | FOR | THE METAL COMPANY | DESCRIPTION STAINLESS STEEL WELD NECK PIPE FLANGE SCH10S ANS1150 ASME B16.5 ASTM A182 F316L | | |
| | APPROVED | BRENTLY F. - 23/02/24 | CO. | S. FISHER & SONS | | | |
| | REVISION | 1.0 | SHEET | A4 | SCALE | NOT TO SCALE | |