

NOTES & FEATURES

MATERIAL: STAINLESS STEEL
 GRADE: F316L
 STANDARD: ASME B16.5
 MANUFACTURING PROCESS: FORGED TO ASTM A182
 SURFACE FINISH: SPIRAL GROOVE
 WORKING TEMPERATURE: SEE TABLE BELOW (*)
 WORKING PRESSURE: SEE TABLE BELOW (*)

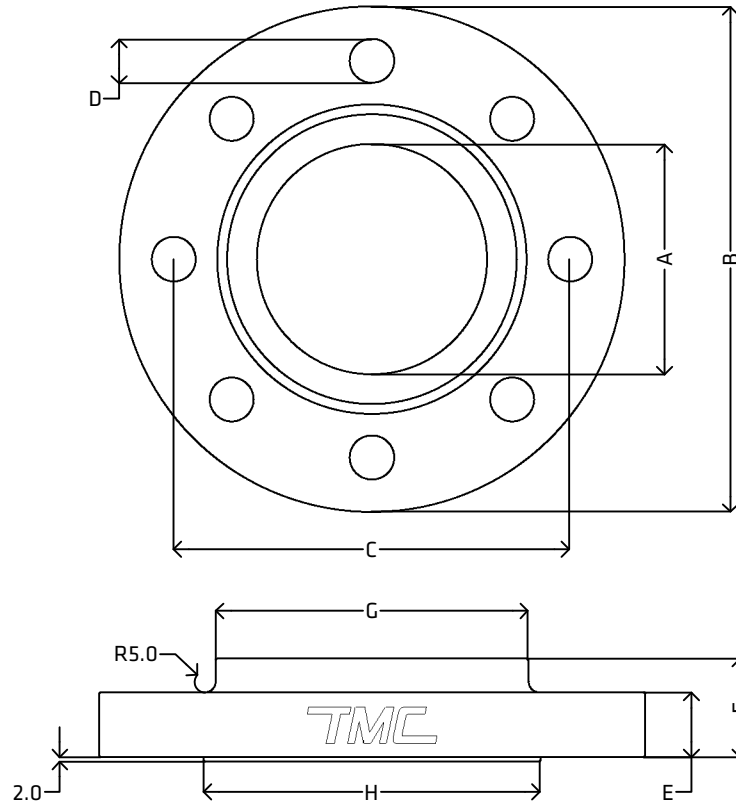
ERRORS & OMISSIONS EXCEPTED
 ALL MEASUREMENTS IN MM UNLESS STATED OTHERWISE

FEATURES:
 ALL SHARP EDGES HAVE BEEN CHAMFERED BY 0.5 MM AT 45°

(*) CLASS 300 RATINGS:

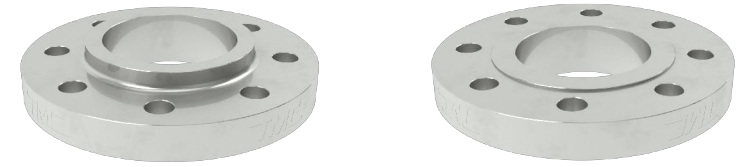
-29°C to 38°C: 41.4bar
 50°C: 40bar
 100°C: 34.8bar
 150°C: 31.4bar
 200°C: 29.2bar
 250°C: 27.5bar
 300°C: 26.1bar
 325°C: 25.5bar
 350°C: 25.1bar
 375°C: 24.8bar
 400°C: 24.3bar
 425°C: 23.9bar
 450°C: 23.4bar

[VIEW ONLINE](#)



DIMENSIONS

CODE	METRIC	INCH	A	B	C	D	E	F	G	H
SPF25A300	25NB	1"	34.5 (-0.0, +1.0)	125.0	88.9 (±1.5)	4x19.05	15.9 (-0.0, +3.0)	25.0 (±1.5)	54.0	50.8 (±1.0)
SPF40A300	40NB	1 1/2"	49.5 (-0.0, +1.0)	155.0	114.3 (±1.5)	4x22.22	19.1 (-0.0, +3.0)	29.0 (±1.5)	70.0	73.0 (±1.0)
SPF50A300	50NB	2"	61.9 (-0.0, +1.0)	165.0	127.0 (±1.5)	8x19.05	20.7 (-0.0, +3.0)	32.0 (±1.5)	84.0	92.1 (±1.0)
SPF65A300	65NB	2 1/2"	74.6 (-0.0, +1.0)	190.0	149.2 (±1.5)	8x22.22	23.9 (-0.0, +3.0)	37.0 (±1.5)	100.0	104.8 (±1.0)
SPF80A300	80NB	3"	90.6 (-0.0, +1.0)	210.0	168.3 (±1.5)	8x22.22	27.0 (-0.0, +3.0)	41.0 (±1.5)	117.0	127.0 (±1.0)
SPF100A300	100NB	4"	116.0 (-0.0, +1.0)	255.0	200.0 (±1.5)	8x22.22	30.2 (-0.0, +3.0)	46.0 (-3.0, +1.5)	146.0	157.2 (±1.0)
SPF150A300	150NB	6"	170.6 (-0.0, +1.0)	320.0	269.9 (±1.5)	12x22.22	35.0 (-0.0, +3.0)	51.0 (-3.0, +1.5)	206.0	215.9 (±1.0)



<p>THE METAL COMPANY TALK: 0508 304 316 TYPE: sales@themetalconpany.co.nz VISIT: 149 Alabama Rd, Blenheim 7201, NZ</p>	FILE NAME TMC-SPFA300.DWG		CODE SPFA300	SIZE 25NB (1") TO 150NB (6")
	AUTHOR CALEB G. - 29/01/24	FOR THE METAL COMPANY	DESCRIPTION STAINLESS STEEL PIPE FLANGE ANSI300 ASME B16.5 ASTM A182 F316L	
	APPROVED BRENTLY F. - 23/02/24	CO. S. FISHER & SONS		
	REVISION 1.0	SHEET A4	SCALE NOT TO SCALE	