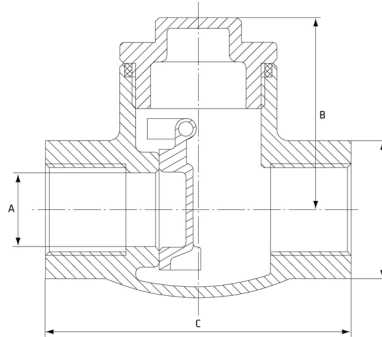


BSP Vertical Swing Check Valve

Features

- BSP threaded ends
- Maximum pressure 230PSI / 16Bar
- No seal
- Stainless steel body and disc
- Please note that these only operate in a vertical orientation



Dimensions

Unit: mm (unless stated otherwise)

Size	1/2" 15NB	3/4" 20NB	1" 25NB	1 1/4" 32NB	1 1/2" 40NB	2" 50NB	2 1/2" 65NB
A	15	20	25	32	40	50	65
B	41	49.5	55	62.5	70.5	79.5	105
C	65	80	92	105	120	140	180
D	26	31	39	50	58	68	85
Code	SSWCV15	SSWCV20	SSWCV25	SSWCV32	SSWCV40	SSWCV50	SSWCV65

Size	3" 80NB	4" 100NB
A	80	100
B	104	140
C	200	240
D	102	128
Code	SSWCV80	SSWCV100

