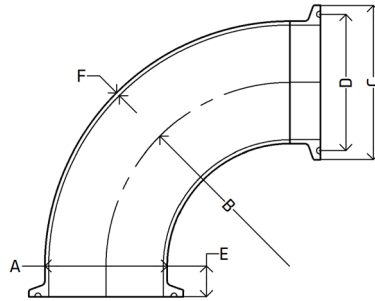


# Short Radius Tri Clover Bend 90°

## Features

- Short Radius (1.5x Diameter)
- 320 Grit Finish
- Pre-Welded with Tri Clover Ferrules



## Dimensions

Unit: mm (unless stated otherwise)

Size	1" 25.4	2" 50.8	1 1/2" 38.1	2 1/2" 63.5	3" 76.2	4" 101.6
<b>A</b>	25.4	50.8	38.1	63.5	76.2	101.6
<b>B</b>	38.1	76.2	57.0	95.0	114.2	152.4
<b>C</b>	50.5	64.0	50.5	77.5	91.0	119.0
<b>D</b>	43.5	56.5	43.5	71.0	83.5	110.0
<b>E</b>	12.7	12.7	12.7	12.7	12.7	15.9
<b>F</b>	1.6	1.6	1.6	1.6	1.6	1.6
<b>Thickness</b>	1.6	1.6	1.6	1.6	1.6	1.6
<b>Code</b>	STBFER2590	STBFER5090	STBFER4090	STBFER6590	STBFER7590	STBFER10090

