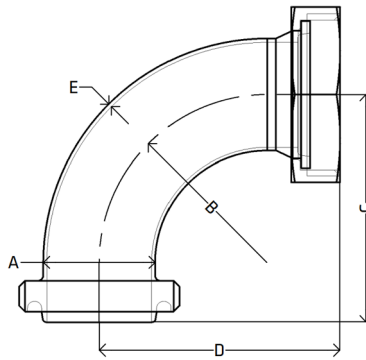


Short Radius RJT Bend 90°

Features

- Short Radius (1.5x Diameter)
- 320 Grit Finish
- Pre-Welded with RJT Male Part & Weld Liner/Hex Nut Connections



Unit: mm (unless stated otherwise)

Dimensions

Size	1 1/2" 38.1	2" 50.8	2 1/2" 63.5	3" 76.2	4" 101.6
A	38.1	50.8	63.5	76.2	101.6
B	57.15	76.2	95.25	114.3	152.4
C	76.65	95.7	114.75	133.8	171.9
D	84.15	103.2	122.25	141.3	179.4
E	1.6	1.6	1.6	1.6	1.6
Thickness	1.6	1.6	1.6	1.6	1.6
Code	STBMPWL4090	STBMPWL5090	STBMPWL6590	STBMPWL7590	STBMPWL10090

