

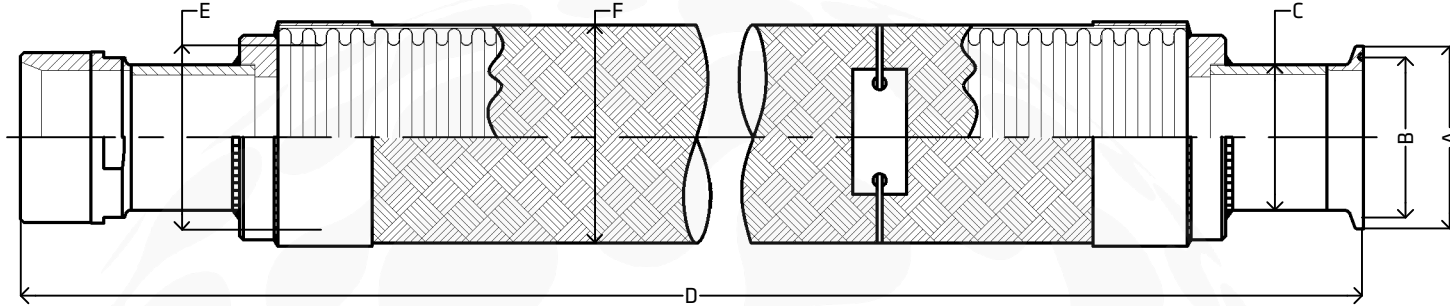
NOTES & FEATURES

MATERIAL: STAINLESS STEEL
 GRADE: 316 (304 BRAID)
 HOSE TEST STANDARD: ISO 10380 (2012)
 TEMPERATURE RATING: -100°C TO +550°C
 HOSE DESIGNATION: TYPE 1-10
 BSP THREAD: ISO 7-1, ISO 228-1

ERRORS & OMISSIONS EXCEPTED

NOTES: ALLOW 1-2 DAYS FOR FABRICATION OF PARTS
 W.P., T.P., & TEMPERATURE RATING APPLY TO HOSE ONLY,
 NOT END CONNECTIONS

INDEX:
 M.B.R. : MINIMUM BEND RADIUS
 W.P. : WORKING PRESSURE
 T.P. : TESTING PRESSURE



[VIEW ONLINE](#)



DIMENSIONS

CODE	SIZE	A	B	C	D	E	F	STATIC M.B.R.	FLEXING M.B.R.	W.P. (BAR)	T.P. (BAR)
FFBSPFER25300	25.4x300	50.5	43.5	25.4	355.0 (-0.0, +9.0)	25.4	33.7	85.0	190.0	49.0	73.0
FFBSPFER25500	25.4x500	50.5	43.5	25.4	555.0 (-0.0, +15.0)	25.4	33.7	85.0	190.0	49.0	73.0
FFBSPFER25750	25.4x750	50.5	43.5	25.4	805.0 (-0.0, +22.5)	25.4	33.7	85.0	190.0	49.0	73.0
FFBSPFER251000	25.4x1000	50.5	43.5	25.4	1055.0 (-10.0, +30.0)	25.4	33.7	85.0	190.0	49.0	73.0
FFBSPFER40300	38.1x300	50.5	43.5	38.1	355.0 (-0.0, +9.0)	40.1	51.1	130.0	300.0	34.0	51.0
FFBSPFER40500	38.1x500	50.5	43.5	38.1	555.0 (-0.0, +15.0)	40.1	51.1	130.0	300.0	34.0	51.0
FFBSPFER40750	38.1x750	50.5	43.5	38.1	805.0 (-0.0, +22.5)	40.1	51.1	130.0	300.0	34.0	51.0
FFBSPFER401000	38.1x1000	50.5	43.5	38.1	1055.0 (-10.0, +30.0)	40.1	51.1	130.0	300.0	34.0	51.0
FFBSPFER50300	50.8x300	64.0	56.5	50.8	360.0 (-0.0, +9.0)	50.3	62.3	160.0	320.0	29.0	44.0
FFBSPFER50500	50.8x500	64.0	56.5	50.8	560.0 (-0.0, +15.0)	50.3	62.3	160.0	320.0	29.0	44.0
FFBSPFER50750	50.8x750	64.0	56.5	50.8	810.0 (-0.0, +22.5)	50.3	62.3	160.0	320.0	29.0	44.0
FFBSPFER501000	50.8x1000	64.0	56.5	50.8	1060.0 (-10.0, +30.0)	50.3	62.3	160.0	320.0	29.0	44.0
FFBSPFER65300	63.5x300	77.5	71.0	63.5	370.0 (-0.0, +9.0)	65.6	83.0	180.0	410.0	23.0	35.0
FFBSPFER65500	63.5x500	77.5	71.0	63.5	570.0 (-0.0, +15.0)	65.6	83.0	180.0	410.0	23.0	35.0
FFBSPFER65750	63.5x750	77.5	71.0	63.5	820.0 (-0.0, +22.5)	65.6	83.0	180.0	410.0	23.0	35.0
FFBSPFER651000	63.5x1000	77.5	71.0	63.5	1070.0 (-10.0, +30.0)	65.6	83.0	180.0	410.0	23.0	35.0
FFBSPFER75300	76.2x300	91.0	83.5	76.2	375.0 (-0.0, +9.0)	80.3	97.0	200.0	450.0	17.0	26.0
FFBSPFER75500	76.2x500	91.0	83.5	76.2	575.0 (-0.0, +15.0)	80.3	97.0	200.0	450.0	17.0	26.0
FFBSPFER75750	76.2x750	91.0	83.5	76.2	825.0 (-0.0, +22.5)	80.3	97.0	200.0	450.0	17.0	26.0
FFBSPFER751000	76.2x1000	91.0	83.5	76.2	1075.0 (-10.0, +30.0)	80.3	97.0	200.0	450.0	17.0	26.0
FFBSPFER100300	101.6x300	119.0	110.0	101.6	380.0 (-0.0, +9.0)	100.8	119.0	290.0	560.0	15.0	23.0
FFBSPFER100500	101.6x500	119.0	110.0	101.6	580.0 (-0.0, +15.0)	100.8	119.0	290.0	560.0	15.0	23.0
FFBSPFER100750	101.6x750	119.0	110.0	101.6	830.0 (-0.0, +22.5)	100.8	119.0	290.0	560.0	15.0	23.0
FFBSPFER1001000	101.6x1000	119.0	110.0	101.6	1080.0 (-10.0, +30.0)	100.8	119.0	290.0	560.0	15.0	23.0



<p>THE METAL COMPANY TALK: 0508 304 316 VIEW: www.themetalcompany.co.nz TYPE: sales@themetalcompany.co.nz VISIT: 149 Alabama Rd, Blenheim 7201, NZ</p>	FILE NAME TMC-FFBSPFER		CODE FFBSPFER	SIZE 25.4 TO 101.6
	AUTHOR CALEB G.	FOR THE METAL COMPANY	DESCRIPTION FLEXIFLOW STAINLESS STEEL CONVOLUTED BRAIDED HOSE WITH BSP MALE & TRI CLOVER FERRULE CONNECTIONS	
	APPROVED BRENTLY F.	CO. S. FISHER & SONS		
	REVISION 1.0	SHEET A4		